


AC Load

- Optically isolated • Input LED indicator
- High dV/dt and high blocking voltage
- Low input power consumption
- TTL and CMOS compatible
- Zero voltage turn-on, zero current turn-off
- Built-in snubber network
- Recognitions, certificates, directives: RoHS,

Type of relay ① ②

D32-A0-24-030-0 D32-A0-24-030-1 D32-A1-24-030-0 D32-A1-24-030-1

Input circuit

LED indicate	LED red	–
Control voltage range	4...32 V DC	3...32 V DC
Max. control current	15 mA	15 mA
Min. turn-off voltage	1,5 V DC	1,0 V DC
Min. input impedance	2,0 kΩ	2,2 kΩ

Output circuit

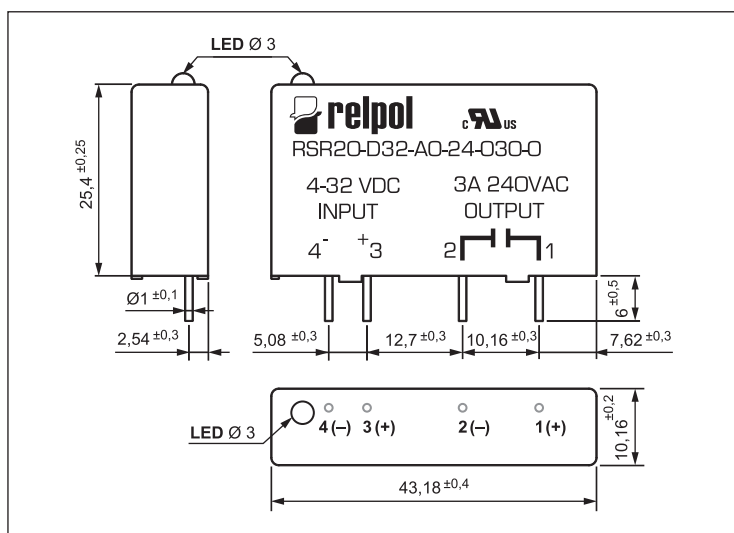
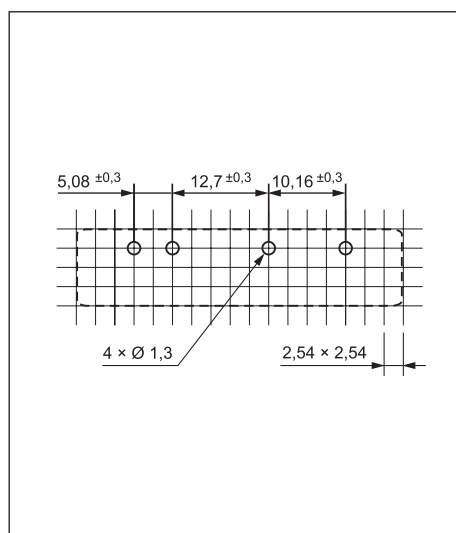
Max. load current	3 A ACrms
Nominal load voltage	240 V AC
Load voltage range	24...280 V AC
Max. non-repetitive peak voltage	600 V AC
Max. non-repetitive peak current	80 A
Max. off-state leakage current	5 mA
Max. on-state voltage drop	1,5 V
Min. load current	50 mA
Max. off-state slew rate (dV/dt)	100 V/μs
Operating frequency range	47...63 Hz

General data

Zero-on (Z), random-on (R)	Z	R	Z	R
Max. turn-on time	8,3 ms	100 μs	8,3 ms	100 μs
Max. turn-off time	8,3 ms			
Min. insulation resistance	between input and output, input / output and cover: 100 MΩ 500 V DC			
Insulation dielectric strength	between input and output: 2 500 V AC			
Max. capacitance	between input and output: 10 pF			
Dimensions (L x W x H)	43,2 x 10,2 x 25,4 mm			
Weight	18,5 g			
Storage temperature	-40...+100 °C			
Operating temperature	-20...+85 °C			

① Standard versions of relays are marked with bold type.

 ② For versions **D32-A0-38-030-0** and D32-A1-38-030-0, please contact with Relpol S.A.

Dimensions

Mounting openings raster




NEW
product

DC Load

- **Applications:** lamp and motor load switching (high surge rating)
- **Mounting:** relays RSR20 are designed for direct PCB mounting, single in line package

Type of relay ❶	D32-D0-06-030-1	D32-D1-06-030-1
Input circuit		
LED indicate	LED red	–
Control voltage range	4...32 V DC	3...32 V DC
Max. control current	15 mA	15 mA
Min. turn-off voltage	1,5 V DC	1,0 V DC
Min. input impedance	2,0 kΩ	2,2 kΩ
Output circuit		
Max. load current	3 A DC	
Nominal load voltage	60 V DC	
Load voltage range	3...60 V DC	
Max. non-repetitive peak voltage	60 V DC	
Max. non-repetitive peak current	5 A	
Max. off-state leakage current	1 mA	
Max. on-state voltage drop	1,5 V	
Min. load current	10 mA	
General data		
Zero-on (Z), random-on (R)	R	
Max. turn-on time	50 μs	
Max. turn-off time	100 μs	
Min. insulation resistance	between input and output, input / output and cover: 100 MΩ 500 V DC	
Insulation dielectric strength	between input and output: 3 500 V AC	
Max. capacitance	between input and output: 10 pF	
Dimensions (L x W x H)	43,2 x 10,2 x 25,4 mm	
Weight	18,5 g	
Storage temperature	-40...+100 °C	
Operating temperature	-20...+85 °C	

❶ Standard versions of relays are marked with bold type.

Ordering codes

